

8

Do not overload the roof box, the lid should close easily. To lock the box, press down lightly on the edge of the lid and turn the key in a clockwise direction. If the lock will not turn, the lid has not been fully closed (check the load).
The key cannot be removed from the lock unless the box is fully locked. To unlock, press lightly on the edge of the lid and turn the key anticlockwise.

Maintenance

9

Clean the roof box with clean water, if necessary use a car shampoo to remove road film with a soft cloth or sponge, never use scourers or anything abrasive. Do not use cleaning products that contain alcohol, bleach or ammonia as these products can affect the structure of the plastic, which can then lead to discoloration and irreparable damage. Do not use any solvents. We recommend that the roof box is thoroughly cleaned before any long term storage.

Safe Driving with a Roof Box

10

Before driving, ensure that everything on the vehicle roof is fully secured, the box is locked and the key removed.

11

A loaded roof box changes the centre of gravity of any vehicle. This will change the vehicles handling characteristics, especially under braking and cornering. The vehicle will also be more sensitive to cross winds.
In the absence of speed restrictions, do not exceed 70mph (120Km/h) when driving with a roof box fitted.

12

Remember to check height clearances before entering garages, car parks etc.
Remember to remove the roof box prior to using automatic car wash facilities.
Remove the roof box when not in use, as doing so will make a difference to fuel consumption.

13

Store the roof box in a clean dry environment out of direct sunlight and away from potential impact damage. Storage solutions are available from Mont Blanc, see our website for more information - www.montblancuk.co.uk
Record the roof box key number and store in a safe place.

MONT BLANC®

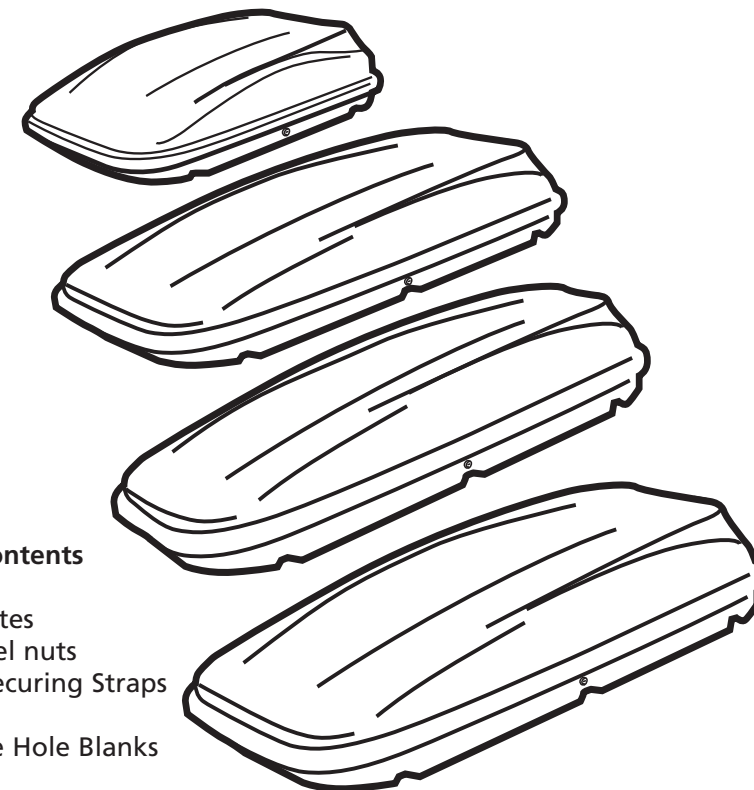
Vista 320 Vista 380 Vista 450 Vista 540 Fitting Instructions

Important

Please read these instructions fully before using this product for the first time.
Use only these instructions to fit this Roof Box.
Retain these instructions for future reference.

Before you begin:

- Make sure all parts are included in the package.



Fitting Kit Contents

- 4 'U' Bolts
- 4 'U' Bolt Plates
- 8 Hand Wheel nuts
- 2 Luggage Securing Straps
- 2 Keys
- Self Adhesive Hole Blanks

MONT BLANC®

Mont Blanc Industri UK Limited

Eden Way, Pages Industrial Park, Leighton Buzzard, Bedfordshire, LU7 4TZ England
Telephone: 01525 850800 Fax: 01525 850808

PI505-00

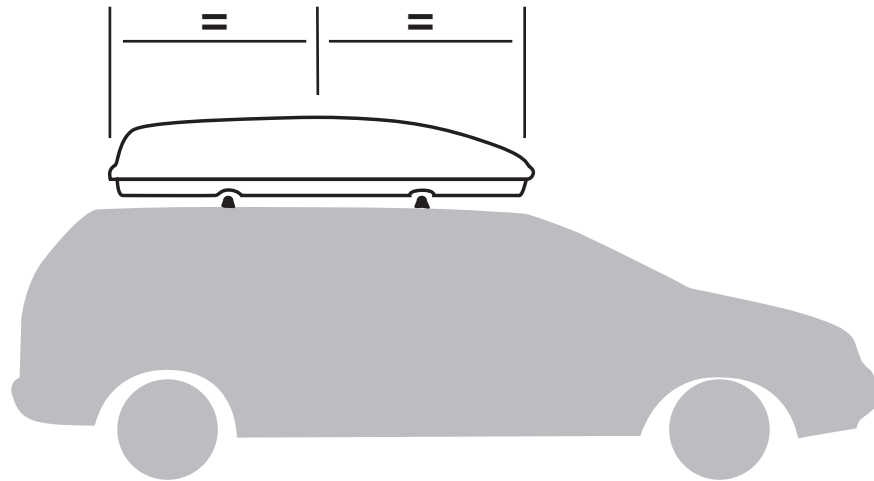
Fitting your Roof Box

1 **Before you start**
Ensure that the 'U' bolts will fit around the roof bars you intend to use.

2 Ensure that the roof box is placed centrally over the bars. The distance between the roof bars must conform to the dimensions appropriate to the roof box in the table below. (The optimum distance between roof bar centres is within the range 650mm - 750mm)

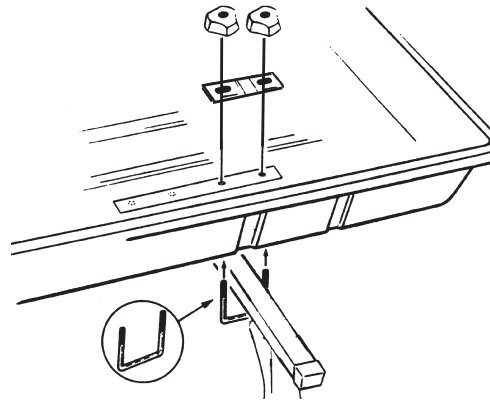
Model:	roof bars fitting range to vehicle:
320	480 – 660 mm
380	560 – 1000 mm
450	560 – 1000 mm
540	560 – 1000 mm

All dimensions in mm

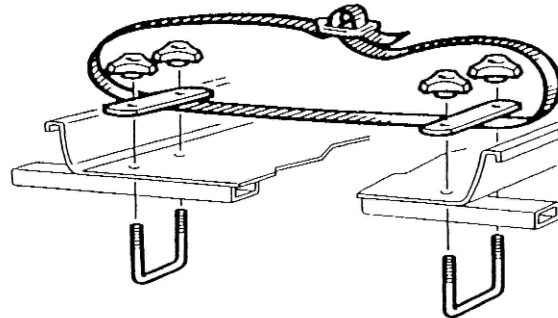


Ideally the roof box should be placed centrally on the car with equal distances on both sides. However, the Vista 380 enables you to fit a roof mount cycle carrier beside the roof box and can therefore be positioned to one side.

3 Fit the the 'U' bolts from the underside, around the roof bars, making sure they go through the holes in the Roof Box. Put on the 'U' bolt plates as shown, ensuring that the raised ridges on the plates are facing upwards, and loosely fit the hand wheel nuts.



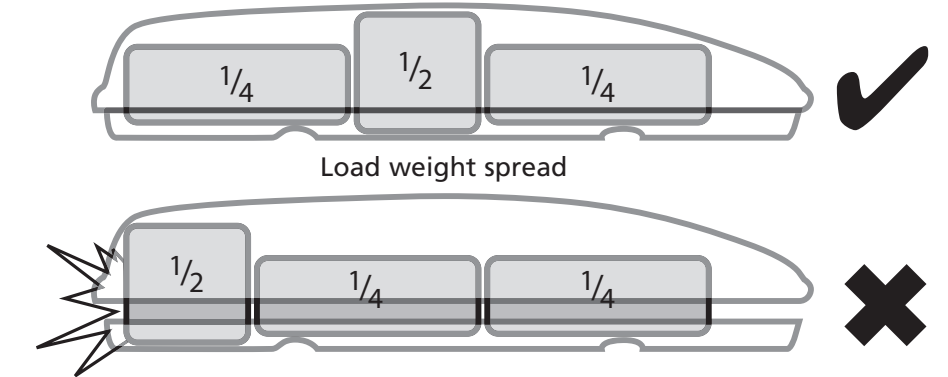
Pass the luggage securing straps underneath the 'U' bolt plates as shown. Tighten the hand wheel nuts uniformly to ensure that the 'U' bolts are square around the roof bars. All hand wheel nuts must be firmly tightened.



4 Place the round black stickers over the unused holes.

Loading your Roof Box

5 The roof box contents should be well distributed with the heaviest objects in the centre of the box. Ensure that no part of the load is too tall for the lid to close easily. The box lid should not have to be forced closed.



6 Items to be transported should be secured with the luggage securing straps provided. Do not place high value items in the roof box. The boxes are tamper proof, not theft proof

7 The maximum permissible load carried in the roof box should not exceed 50kg. Most importantly, the maximum vehicle roof loading prescribed by the vehicle manufacturer must be observed. This can be calculated as follows: Total Permissible roof loading (See car's owners manual)
Minus (-) Weight of roof bars
Minus (-) Weight of roof box
Equals(=) Maximum permissible load in the roof box.

Weight of Roof Box

Vista 320 = 12kg Vista 380 = 15kg Vista 450 = 15kg Vista 540 = 17kg